

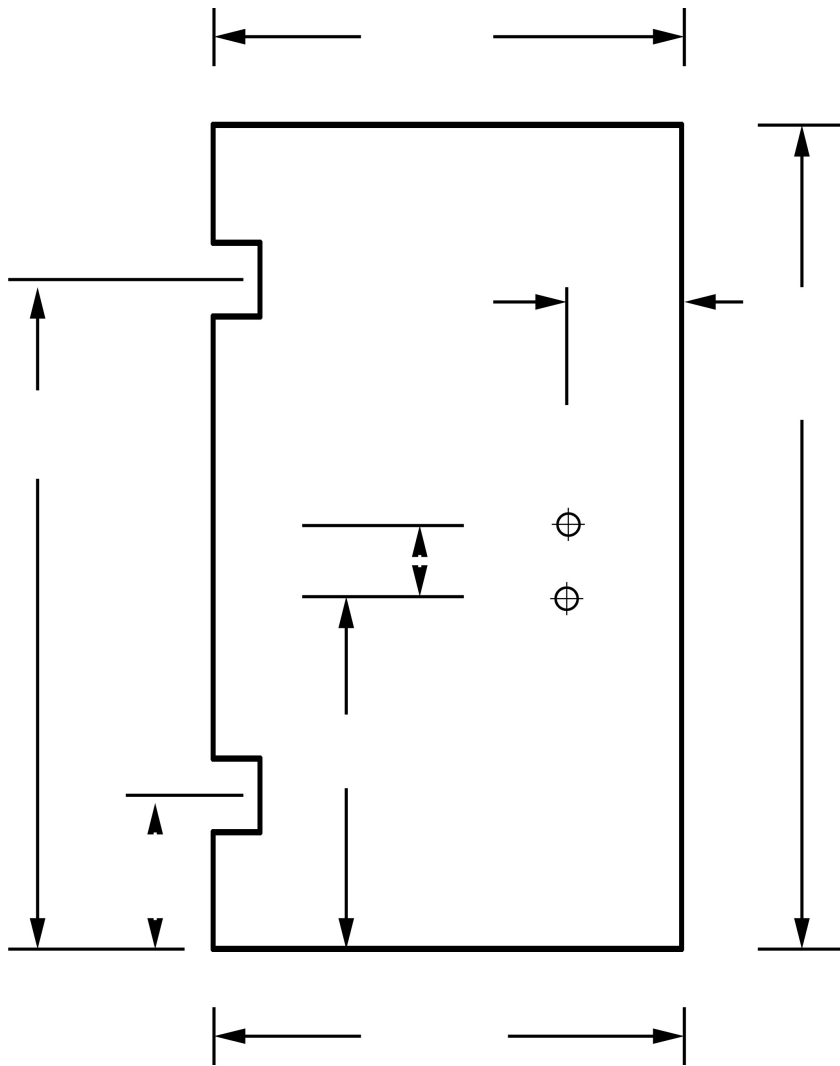


Fax this form to 773.583.2312

For assistance call 773.583.2300

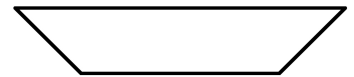
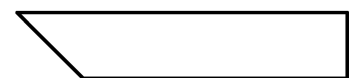
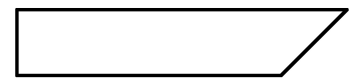
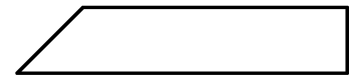
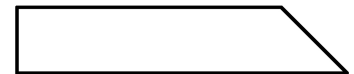
www.ChicagoTemperedGlass.com

Wall Mount Template Work Order Form



Miter – Plan Views

Degree 45 22½



Date		Glass color		Glass thickness	
Company		# of holes		Diameter	
		# of hinges		Hinge model	
Tel #		If miter: Please circle the appropriate plan view and degree. Indicate on the diagram areas to be polished or seamed.			
PO #					
Total number of pieces ordered		Special instructions:			
Item _____ of _____					